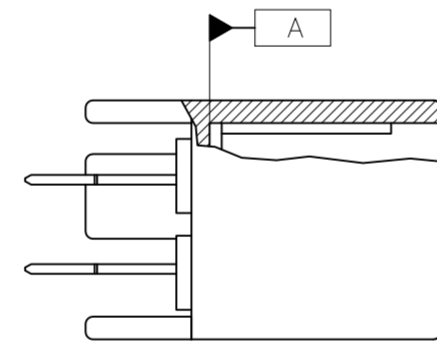
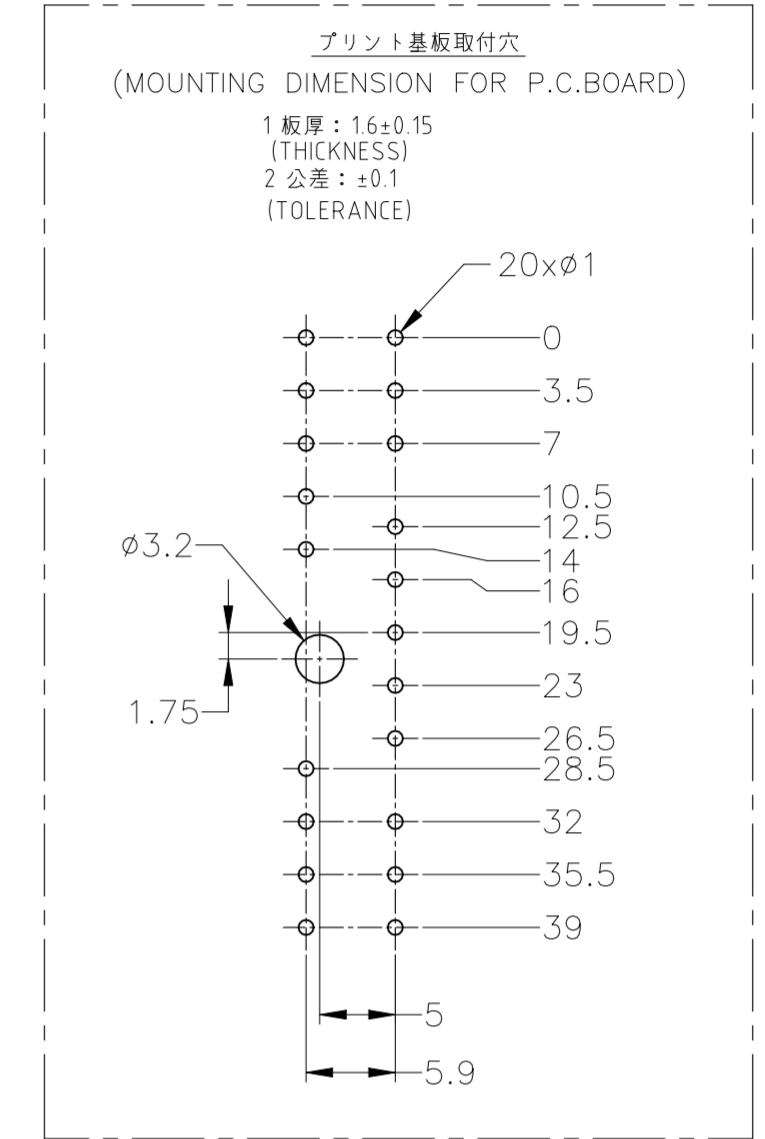
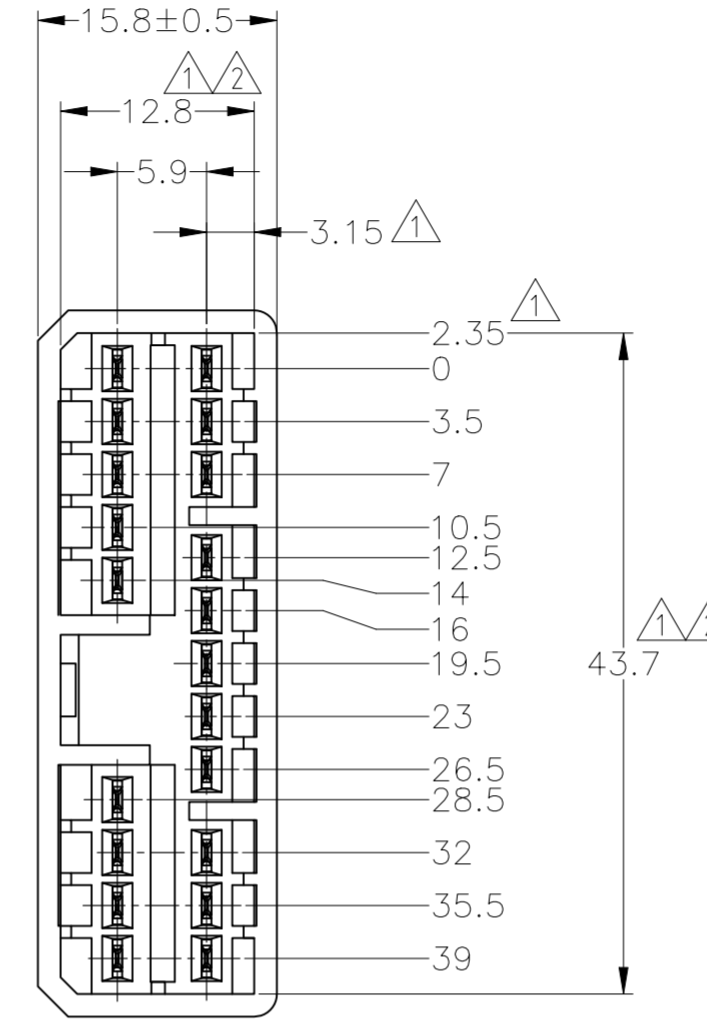
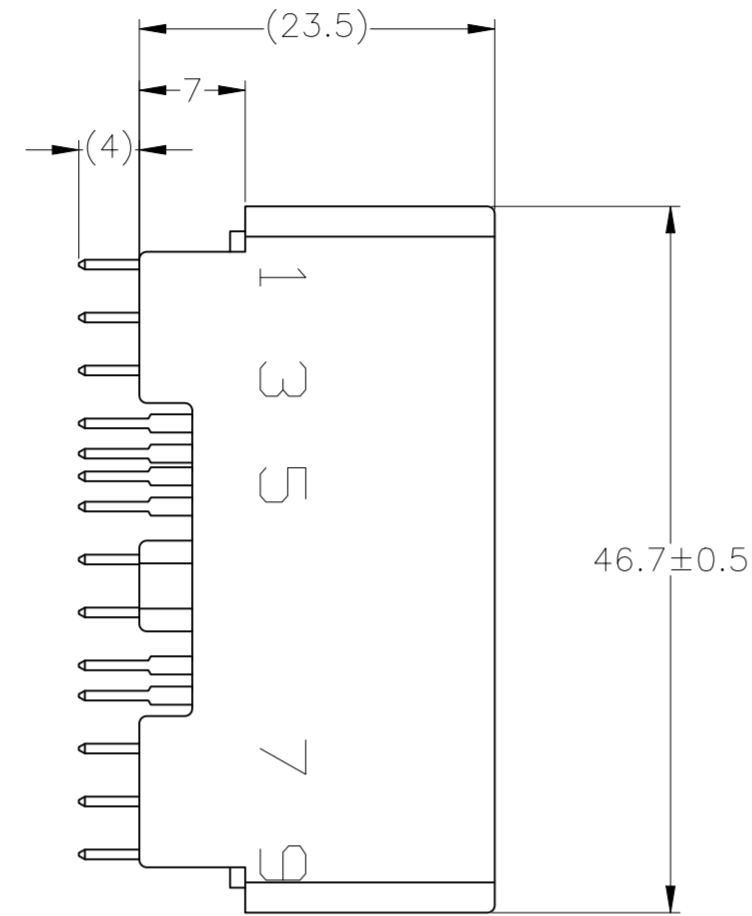
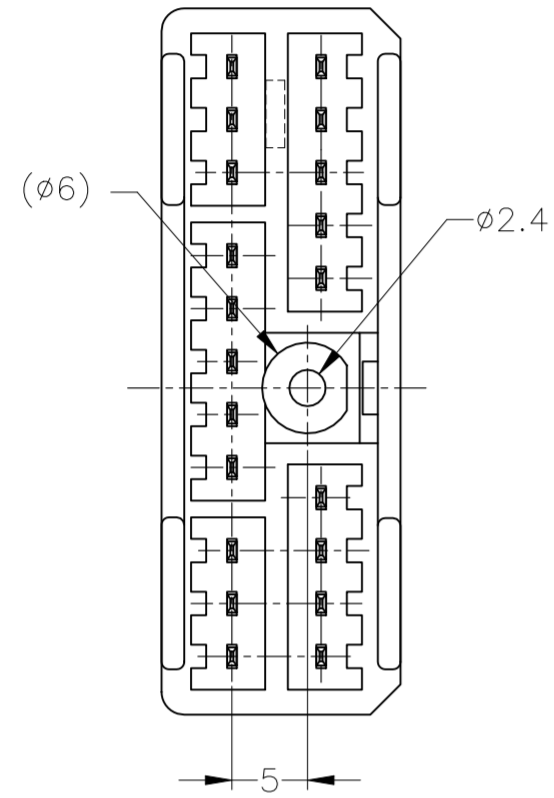


REVISIONS					
P	LTR	DESCRIPTION	DATE	DWN	APVD
E4	REVISED	ECR-21-123427	09DEC2021	SA	RK



- △ A 面より2mmの範囲で測定。
- △ 相手ハウジングと所定の機能を満たして嵌合できること。
- 3. プリント基板への取付けは、JIS B1115又は1122, M3×6ナベ (2種又は4種)のタッピンネジで締付けた後ハンダ付けする。
- 4. 嵌合相手ハウジング型番：174952
- △ TO BE MEASURED BETWEEN [A] AND 2.
- △ TO BE MATED WITH PLUG HSG SMOOTHLY.
- 3. TO BE USE M3 TAPPING SCREW JIS B1115 OR 1122 (TYPE2 OR 4) BEFORE SOLDER.
- 4. APPLIDE PLUG HOUSING PART NUMBER: 174952

SELECTIVE-TIN (MATTE)	SELECTIVE-TIN (BRIGHT)	NATURAL	174960-2
SELECTIVE-TIN (MATTE)	SELECTIVE GOLD × 20	NATURAL	2-5174960-1
SELECTIVE-TIN	PRE-TIN × 20	NATURAL	3-174960-1
TIN-LEAD	SELECTIVE GOLD × 20	NATURAL	2-174960-1
	PRE-TIN × 20	YELLOW	1-174960-7
	PRE-TIN × 20	GRAY	1-174960-6
	PRE-TIN × 20	NATURAL	1-174960-1
SOLDERING SIDE 半田付け面	CONTACT SIDE 接触部前	COLOR	PART NUMBER 製品型番
	CONTACT FINISH コンタクト仕上	色	製品型番

TOLERANCE UNLESS OTHERWISE SPECIFIED: 一般公差	
0 <= X <= 10	: ±0.2
10 <= X <= 30	: ±0.25
30 <= X <= 100	: ±0.3
ANGLE	: ±3°

THIS DRAWING IS A CONTROLLED DOCUMENT.

DWN	T.SHINOHARA	26JUN07
CHK	K.BETSUI	26JUN07
APVD	K.BETSUI	26JUN07
PRODUCT SPEC	製品規格	108-5216
APPLICATION SPEC	取付適用規格	412-5520
WEIGHT	10.6 g	

MATERIAL: HOUSING: PBT CONTACT: BRASS

FINISH: 仕上

SCALE: 2:1 SHEET: 1 OF 1 REV: E4

TE Connectivity

.070 SERIES MULTI-LOCK I/O CONN
20POSITION CAP HSG ASSEMBLY
VERTICAL TYPE

SIZE: A2 CAGE CODE: 00779 DRAWING NO: C=174960

Mouser Electronics

Authorized Distributor

Click to View Pricing, Inventory, Delivery & Lifecycle Information:

[TE Connectivity:](#)

[1-174960-1](#)